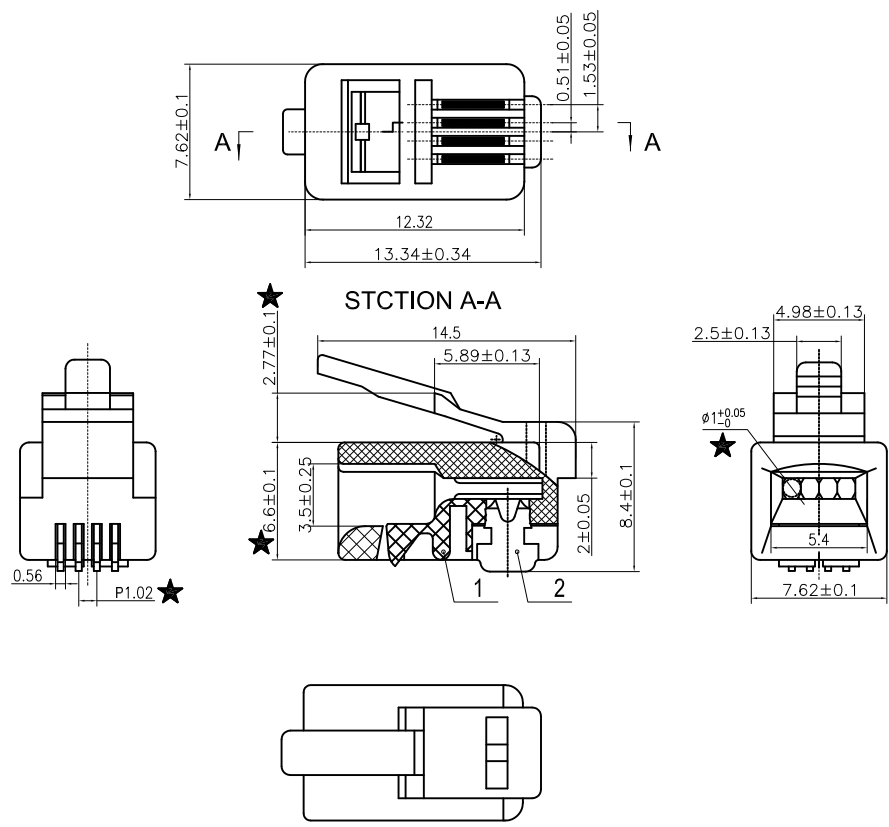


REV.	ECN NO.	DATE
00	第一次制定	2009.08.11



SPECIFICATION NOTES:

ELECTRICAL:

1. VOLTAGE RATING: 125 VAC RMS
2. CURRENT RATING: 1.5 AMP
3. CONTACT RESISTANCE: 20mΩ MAX.
4. INSULATION RESISTANCE: 1000MΩ MIN. AT 500V DC.
5. DIELECTRIC STRENGTH: 1000 V AC OR 1500V DC RMS AT 0.5mA 50 Hz / 60 Hz FOR 1 MINUTE

MECHANICAL:

1. HOUSING&INSERT&MATERIAL:SEE TABLE
2. CONTACT MATERIAL:PHOSPHOR BRONZE/ BRASS T=0.35MM
3. PLATING:GOLD PLATING AT CONTACT AREA, NICKEL 50u" MIN. OVER ALL.
4. MAKE USE OF LING O/D:0.95±0.05MM
5. OPERATING LIFE:750 CYCLES MIN.
6. RETENTION STRENGTH:50N MIN. FOR 60S±5S

ENVIRONMENTAL:

1. STORAGE: -10℃~+40℃ RELATIVE HUMIDITY<80%, GB 10753-89
2. GUARANTEE PERIOD:12 MONTHS
3. OPERATION: -25℃~+55℃ GB 10753-89
4. SALT WATER SPRAY: SEE TABLE

RoHS Compliant

© 库乐科技

第一视角 A4 SIZE	SCALE 比例	UNIT 单位	CUSTOMER: 客户	TOLERANCES 公差	Material: 材质	Designed: 设计	NAME: 名称	PLUG 4P4C-R CLP4402 SEE TABLE	REV. 版本
	1:1	mm	MODEL NO: 料号	00~15 ±0.10 15~30 ±0.15 30~ ±0.20	SEE NOTE	Michael 2013.10.31	DWG NO. 图号		
	SHEET 1 OF 1 第 页 共 页		ANGLES: ±1°	Finish: 电镀	SEE NOTE	Checked: 审核	PART NO. 料号		