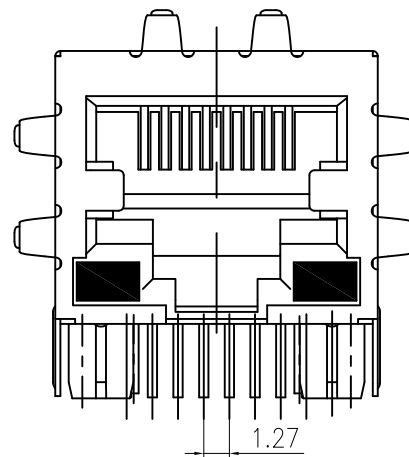
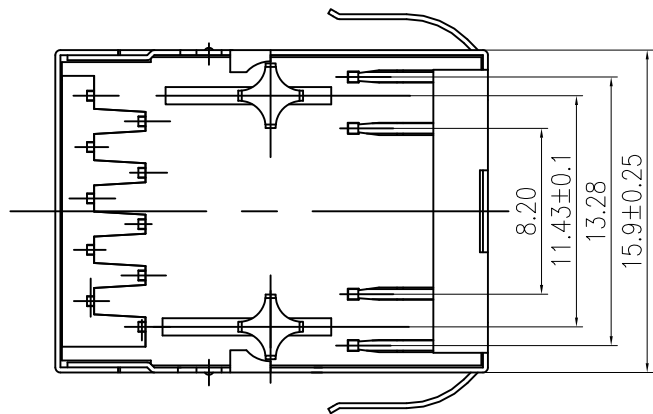


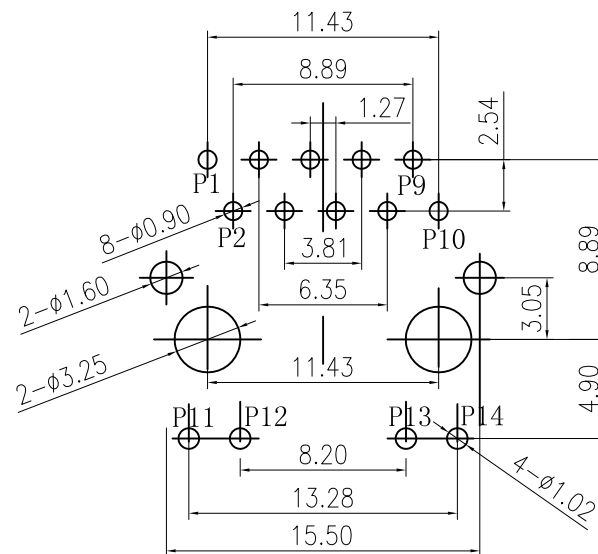
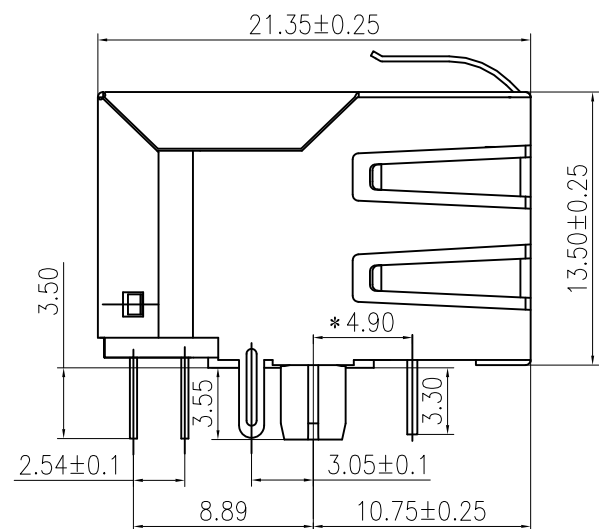
| | | |
|------|---------|------------|
| REV. | ECN NO. | DATE |
| 00 | 新版发行 | 2011-04-19 |



NOTES:

- CONNECTOR MATERIAL:
HOUSING: THERMOPLASTIC UL94 V-0
CONTACT/SHIELD: COOPER ALLOY
SHIELD PLATING: NICKEL OR TIN
CONTACT PLATING: SELECTIVE GOLD,
50 MICRO-INCHS MIN
30 MICRO-INCHS MIN
15 MICRO-INCHS MIN
6 MICRO-INCHS MIN
3 MICRO-INCHS MIN
IN CONTACT AREA

- PIN NOT ELECTRICALLY CONNECTED MAYBE OMITTED SEE ELECTRICAL DRAWING FOR OMITTED PINS.
- RJ45 CAVITIES CONFORM TO FCC RULES AND REGULATION PART 68 SUBPART F.
- THE PART IS RECOMMENDED FOR WAVE SOLDERING PROCESS PEAK SOLDERING TEMPERATURE IS 260° C MAX, 10 SECS MAX
- OPERATING TEMPERATURE T=0° C TO +70° C.
- STORAGE TEMPERATURE T=-25° C TO +85° C.
- ALL TOLERANCES NOT OTHERWISE SPECIFIED TO BE ±0.25mm.



| LED SPECIFICATION | | | |
|-------------------|------------|----------------|------|
| STANDARD LED | WAVELENGTH | Forward V(max) | TYP |
| YELLOW | 565nm | 2.4V | 2.2V |
| GREEN | 565nm | 2.4V | 2.2V |

*WITH A FORWARD CURRENT OF 20mA

P. C. B RECOMMENDED HOLE LAYOUT SEEN FROM COMPONENT SIDE.
ALL CENTERLINE DIMENSIONS ARE BASIC

RoHS Compliant

库乐科技

TOLERANCES
0~15 ±0.15
15~30 ±0.20
30~50 ±0.25
50~ ±0.30
ANGLES: ±1°

MATERIAL:

Designed: Tin

NAME: 5921 8P8CS LED 1000M

FINISH:

Checked: Michael

DWG NO: CL1028A

REV.

SHEET 1 OF 2

Approved: Michael

PART NO: 59218P8CS1000M

00



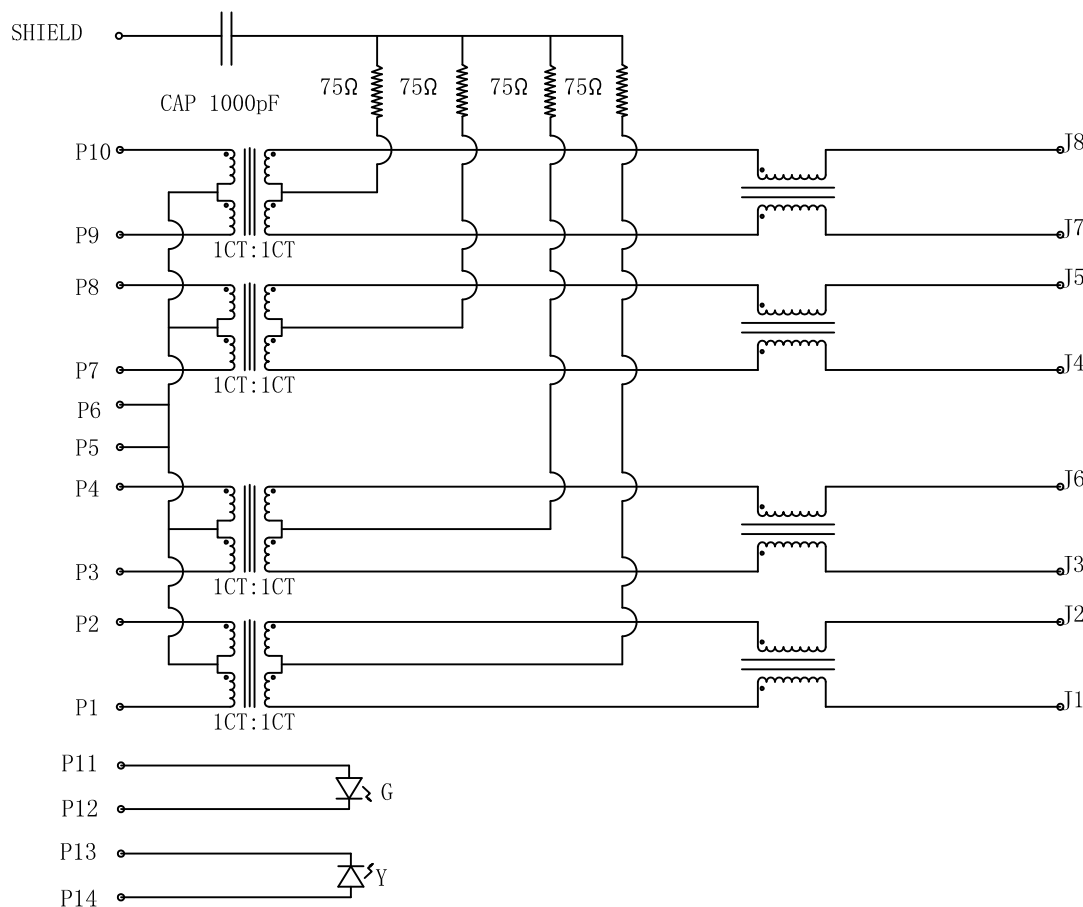
A4
SIZE

SCALE
1:1

UNIT
mm

CUSTOMER:

| | | |
|------|---------|------------|
| REV. | ECN NO. | DATE |
| 00 | 新版发行 | 2011-04-19 |



ELECTRICAL SPECIFICATIONS:

- 1.0 TURN RATIO: (P1~P2) : (J1~J2) : 1:1±3%
 (P3~P4) : (J3~J6) : 1:1±3%
 (P7~P8) : (J4~J5) : 1:1±3%
 (P9~P10) : (J7~J8) : 1:1±3%
- 2.0 INDUCTANCE: (P1~P2) 350uH MIN @0.1V, 100KHZ, 8mA DC BIAS
 (P3~P4) 350uH MIN @0.1V, 100KHZ, 8mA DC BIAS
 (P7~P8) 350uH MIN @0.1V, 100KHZ, 8mA DC BIAS
 (P9~P10) 350uH MIN @0.1V, 100KHZ, 8mA DC BIAS
- 3.0 LEAKAGE INDUCTANCE: P1~P2 (WITH J1 AND J2 SHORT) : 0.35uH MAX @1MHZ
 P3~P4 (WITH J3 AND J6 SHORT) : 0.35uH MAX @1MHZ
 P7~P8 (WITH J4 AND J5 SHORT) : 0.35uH MAX @1MHZ
 P9~P10 (WITH J7 AND J8 SHORT) : 0.35uH MAX @1MHZ
- 4.0 INTERWINDING CAPACITANCE: (P1~P2) : (J1~J2) : 35pF MAX @ 1MHZ
 (P3~P4) : (J3~J6) : 35pF MAX @ 1MHZ
 (P7~P8) : (J4~J5) : 35pF MAX @ 1MHZ
 (P9~P10) : (J7~J8) : 35pF MAX @ 1MHZ
- 5.0 DC RESISTANCE: (J1~J2) : (J3~J6) : (J4~J5) : (J7~J8) : 1.2 OHMS MAX
- 6.0 RETURN LOSS: 0.5MHZ TO 40MHZ : 18dB MIN
 40.1MHZ TO 100MHZ : 12-20LOG(f/80) dB MIN
- 7.0 DIELECTRIC WITHSTAND: (P1~P2) : (J1~J2) : 2250VDC
 (P3~P4) : (J3~J6) : 2250VDC
 (P7~P8) : (J4~J5) : 2250VDC
 (P9~P10) : (J7~J8) : 2250VDC
- 8.0 INSERTION LOSS: 0.5MHZ TO 100MHZ : -1.1dB MAX
- 9.0 RISE TIME : RS=100OHMS AND RL=100OHMS
 OUTPUT VOLTAGE=1V PEAK : 3.0nS MAX
 PULSE WIDTH=112nS : 3.0nS MAX
- 10.0 CROSS TALK: 0.5MHZ TO 40MHZ : -35dB MIN
 40.1MHZ TO 100MHZ : -33-20xLOG(f/50) dB MIN
- 11.0 COMMON TO COMMON MODE ATTENUATION: 0.5MHZ TO 100MHZ : -30dB MIN

RoHS Compliant

© 库乐科技

TOLERANCES
 0~15 ±0.15
 15~30 ±0.20
 30~50 ±0.25
 50~ ±0.30
 ANGLES: ±1°

MATERIAL:

Designed: Tin

NAME: 5921 8P8CS LED 1000M



A4
SIZE

SCALE
 1:1

UNIT
 mm

CUSTOMER:

SHEET 2 OF 2

FINISH:

Checked: Michael

DWG NO: CL1028A

REV.

Approved: Michael

PART NO: 59218P8CS1000M

00