

|            |         |            |            |               |
|------------|---------|------------|------------|---------------|
| 記號<br>MARK | ECN NO. | 日期<br>DATE | 修改<br>DRAW | 核准<br>APPROVE |
|            |         |            |            |               |
|            |         |            |            |               |

Specification Notes:

Material

1. Housing :PC
2. Contact :Brass t=0.35mm, gold plating at contact area, nickel 50u" min. over all.

Electrical:

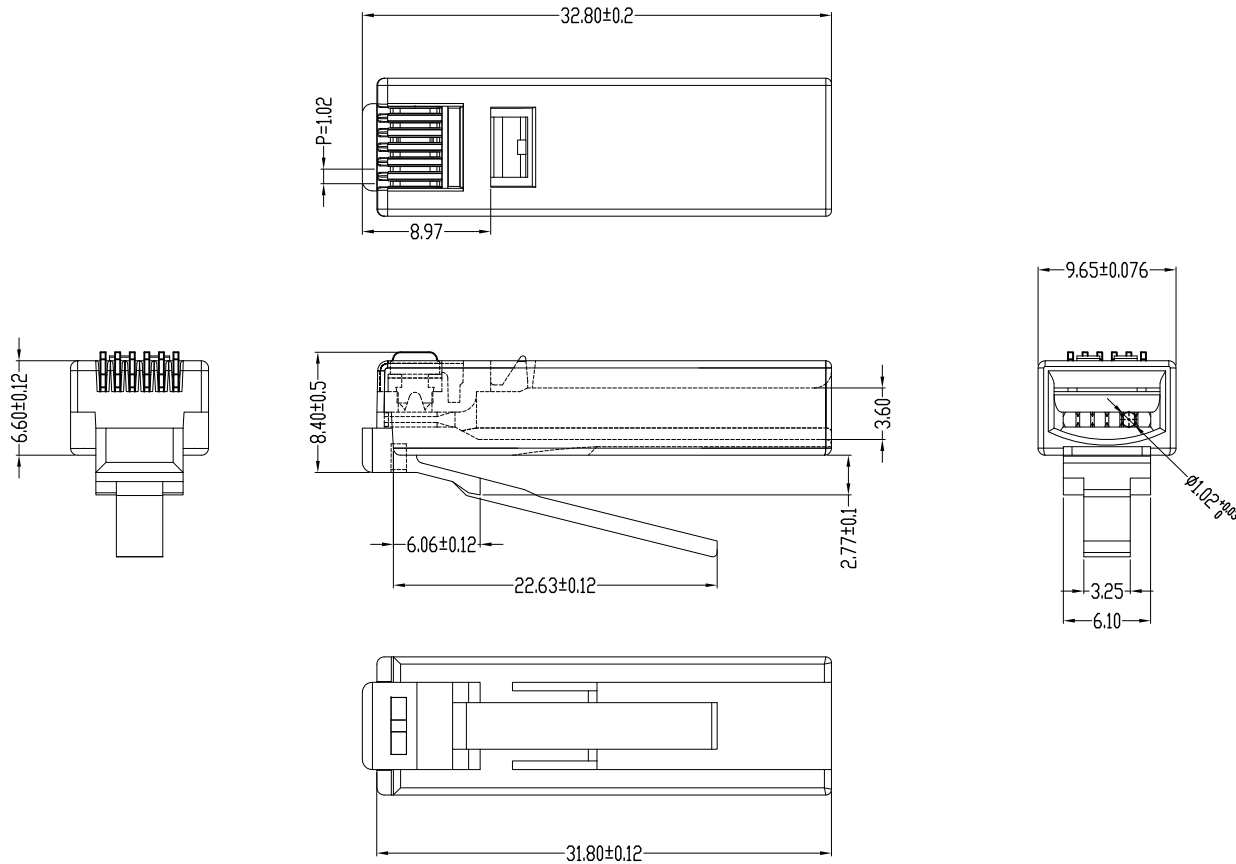
1. Voltage rating: 125 vac rms
2. Current rating: 1.5 amp
3. Contact resistance: 20mΩ max.
4. Insulation resistance: 1000MΩ min. at 500V DC.
5. Dielectric strength: 1000 V AC or 1500V DC rms at 0.5MA 50 HZ / 60 HZ for 1 minute

Mechanical:

4. Make use of ling O/D 0.95±0.05mm
5. Operating life:750 cycles min.
6. Retention strength:50n min. for 60s±5s

Environmental:

1. Storage:-10°C~+40°C relative humidity<80%, GB 10753-89
2. Guarantee period:12 months
3. Operation: -25°C~+55°C GB 10753-89
4. Salt water spray: see table



| SALT SPRAY    |     |
|---------------|-----|
| G/F           | 8H  |
| 3U, 6U        | 24H |
| 15U, 30U, 50U | 48H |

# Coorle Technology

|  |                                  |                                 |     |             |                                      |
|--|----------------------------------|---------------------------------|-----|-------------|--------------------------------------|
| 品名规格<br>DESCRIPTION  | Modular Plug 6p Long Body L=32.8 | 单位<br>UNIT                      | mm  | 页次<br>SHEET | 1/1                                  |
| 产品编号<br>PRODUCT NO   |                                  | 比例<br>SCALE                     | 1:1 | 版本<br>EDITI | A/0                                  |
| DIMENSION IN mm (Inch)<br>TOLERANCE UNLESS OTHERWISE SPECIFIED |                                  | 第三视角法<br>THIRD ANGLE PROJECTION |     | 制图<br>DRAWN | <i>Ting</i> 日期<br>DATE 2021.09.28    |
| x.xx ±0.2  | ANGLES                           |                                 |     | 核对<br>CHECK | <i>Michael</i> 日期<br>DATE 2021.09.28 |
| x.xx ±0.10   | <b>X.±0°</b>                     |                                 |     | 批准<br>APPRO | <i>Tjnak</i> 日期<br>DATE 2021.09.28   |
| x.xxx ±0.050   | <b>.X±0.0°</b>                   |                                 |     |             |                                      |