

Electrical Specifications @25°C/65%RH

1. Isolation Voltage: 1500V/AC(Chip Side to UTP Side)

2. OCL: 350uH Minimum @100KHz 100mV with 8mA DC

3. Insertion Loss: -1.1dB Maximum @100KHz-100MHz

4. Return Loss: -18dB Minimum @1MHz-30MHz

-14dB Minimum @30MHz-60MHz

-12dB Minimum @60MHz-80MHz

-10dB Minimum @80MHz-100MHz

5. Common Mode Rejection: -40dB Minimum @1MHz-30MHz

-35dB Minimum @30MHz-60MHz

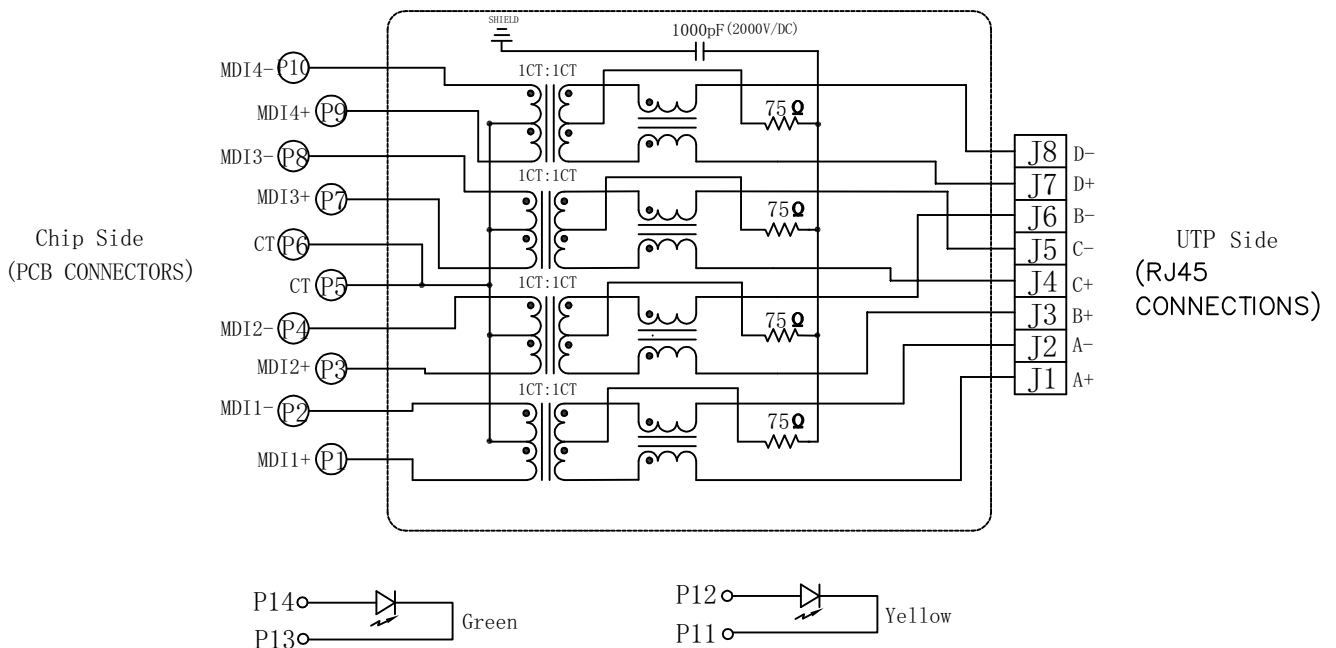
-30dB Minimum @60MHz-100MHz

6. Cross Talk: -40dB Minimum @1MHz-30MHz

-35dB Minimum @30MHz-60MHz

-30dB Minimum @60MHz-80MHz

Schematics:

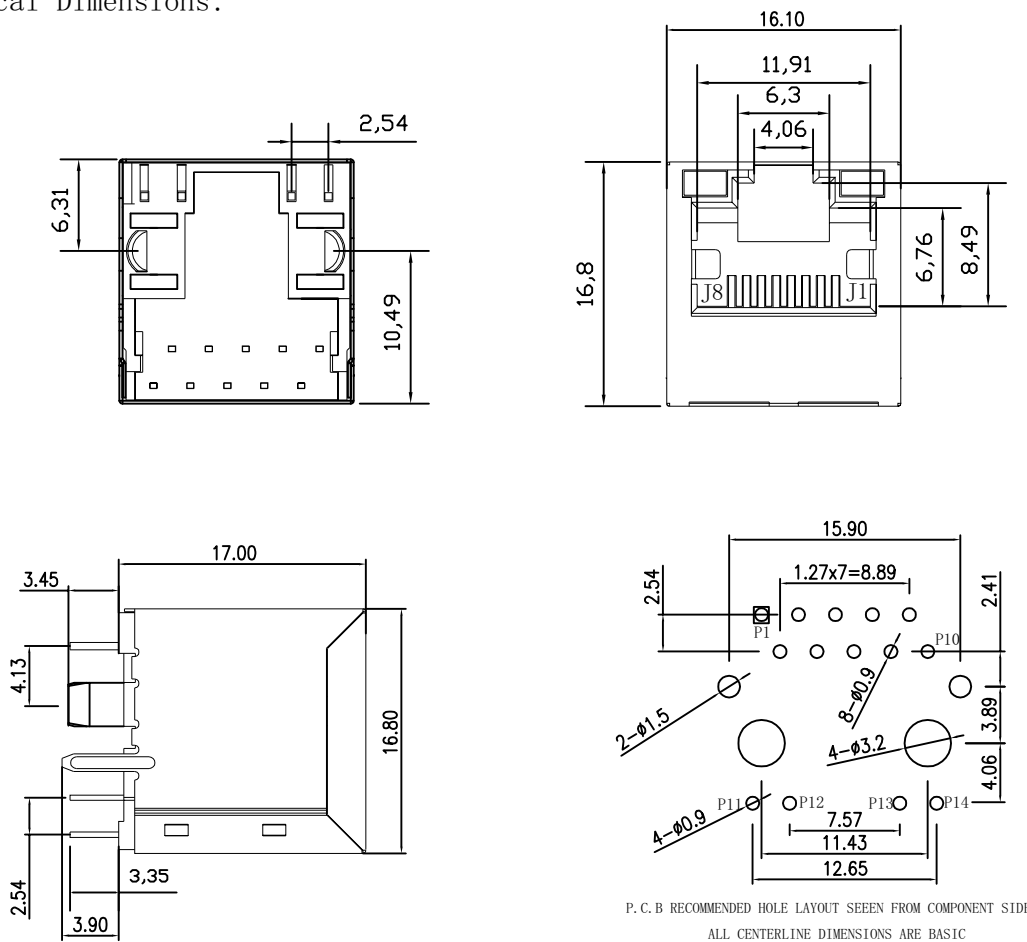


Single Port RJ45 Connector
With 100/1000 Base-T Magnetics Module

Coorle Technology

- ROHS Compliant (Pb Free)
- Meets or exceeds IEEE802.3 Standards including 350uH Min OCL with 8mADC
- High performance for EMI suppression, Crosstalk, Return Loss and Consistent Electrical
- Minimum 1500Vrms isolation per IEEE802.3 requirement
- Minimize PCB space and Simplify PCB Layout
- Less magnetic components to be placed on PCB, higher reliability and yields

Mechanical Dimensions:



Dimensions in mm

Unless otherwise specified, Tolerance: .XX ± 0.25

1. Connector Material:
Housing: Thermoplastic UL94 V-0
Contact/Shield: Cooper alloy
Shield Plating: Nickel
Contact Plating: Selective gold 6u" Min
2. Tolerances comply with F.C.C dimension requirements
3. Durability: 800 mating Min