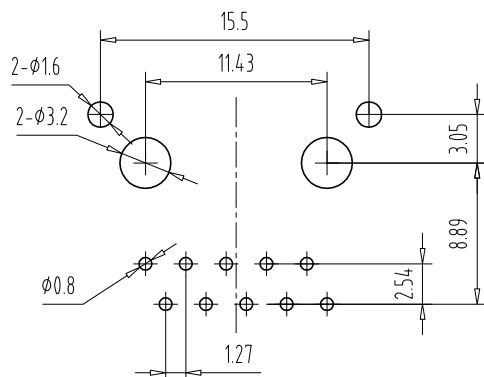
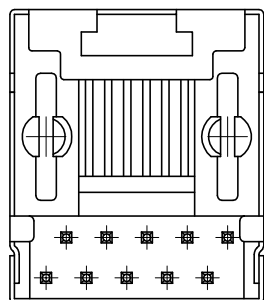
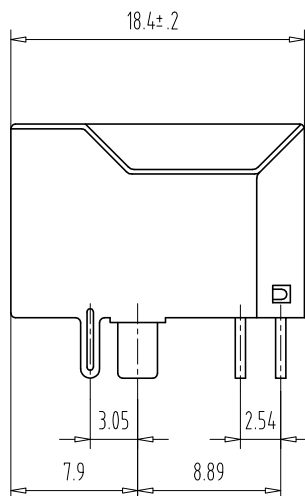
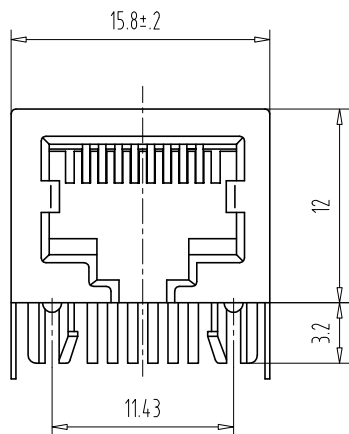


REVISION RECORD				
REV	ECO	DESCRIPTION	DRFT	CHKD



PC Board Layout
Component Side Shown

NOTES:

MATERIAL :

- 1.HOUSING MATERIAL :GLASS FILLED POLYESTER UL94V-0.
- 2.CONTACT MATERIAL :PHOSPHOR BRONZE φ0.45mm.
- 3.PLATING :GOLD PLATING OVER NICKEL.
- 4.SHIELD :0.20mm THICKNESS COPPER ALLOY WITH NICKEL PLATED.

ELECTRICAL:

- 1.VOLTAGE RATING :125 VAC RMS.
- 2.CURRENT RATING :1.5 AMP.
- 3.CONTACT RESISTANCE :30 MILLIOHMS MAX.
- 4.INSULATION RESISTANCE :500 MEGOHMS MIN @ 500V DC .
- 5.DIELECTRIC WITHSTANDING RESISTANCE :1000V AC RMS 50Hz. 1MIN.

MECHANICAL:

- 1.DURRABILITY :750 CYCLES MIN.
- 2.PCB RETENTION PRE-SOLDER :1 LB MIN.

ENVIRONMENTAL:

- 1. STORAGE : -40°C~+85°C
- 2. OPERATION : 0? TO 70?.

DETAILS LISTS	MM (INCH)	DFTO: SHB	DATE: 2007.05.03	Coorle Technology	
	TOLERANCES EXCEPT AS NOTED	CHKD: LAMBO	DATE: 2007.05.03		
	MM .0 ± 0.15 .00 ± 0.075 .000 ± 0.05	APPVL:	DATE:	TITLE 56 SIDE ENTRY JACK 10P10 C	
	ANGLES ± 0.5	MATERIAL :	DATE:		
THIRD ANGLE PROJECTION	Q.T'Y :	FINISH :	DRAWING NO.	SIZE A3	REV 0
	SCALE :		/PART NO.	DO NOT SCALE DRAWING	
				SHEET X	OF Y