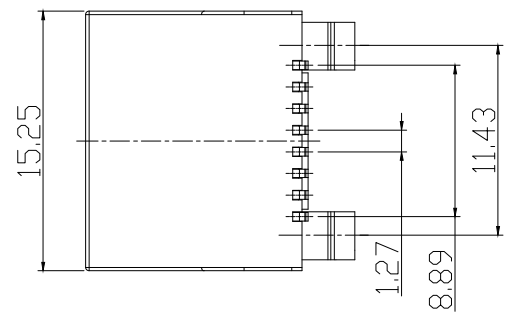
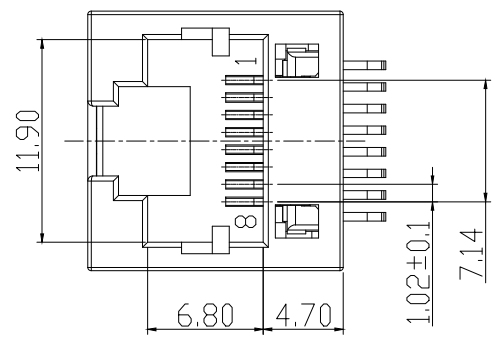


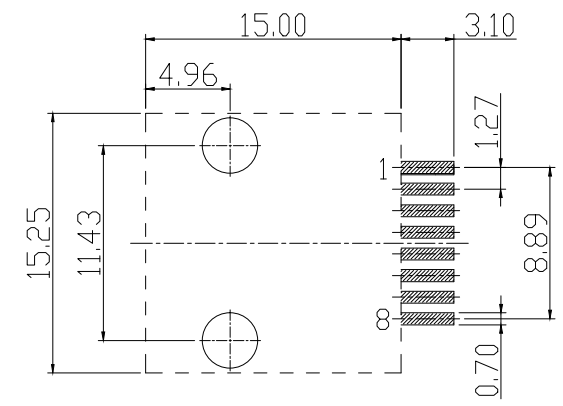
REV.	ECN NO	DESCRIPTION	REVISED	DATE
A01		新增图面	XSY	2015.09.15

CATEGORY	DESCRIPTION	P/N #
CONNECTOR	RJ45 180度SMT全塑前插后贴	RJ45-88GF-L003



SPECIFICATION

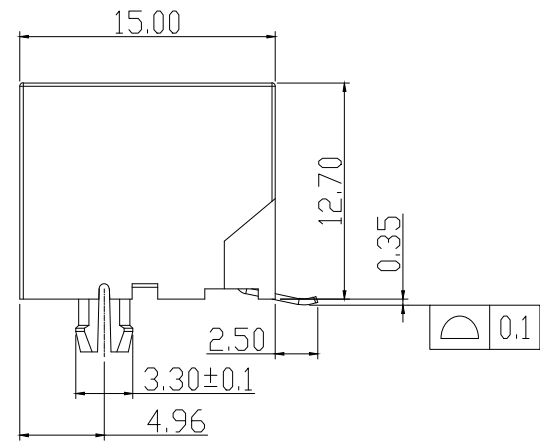
- VOLTAGE RATING: 125 VAC RMS.
- CURRENT RATING: 1.5 AMP
- CONTACT RESISTANCE: 40 mΩ MAX
- INSULATION RESISTANCE: 500MΩ MIN.
- WITHSTAND VOLTAGE:
AC1000V RMS 50Hz or 60Hz MIN.
- OPERATING TEMPERATURE: -40°C~+80°C



Recommend PCB Layout
(Jack Top View)
Tolerance: ±0.05mm

MJ882-BX11-H9PSN2

X	Terminal Plating
0	Au 1u" Plating
1	Au 3u" Plating
2	Au 6u" Plating
3	Au 15u" Plating
4	Au 30u" Plating



库乐科技

UNLESS OTHERWISE SPECIFIED TOLERANCES	SCALE: 1/1	UNIT: mm	DWG.NO:	
DECIMALS: X :±0.5 X.X :±0.3 X.XX :±0.2	ANGLES: X :±2° X.X :±1°	APPROVED BY DICK	CHECKED BY XSY	PREPARED BY XSY
CUSTOMER COPY				

NO.	PART NAME	Q'TY	MATERIAL	PLATING & COLOR	Remark
c	TERMINAL	8	PHOSPHOR BRONZE T=0.35mm	Au/Tin PALTING	
b	INSERT	1	PA9T UL94V-0	BLACK	
a	HOUSING	1	PA9T UL94V-0	BLACK	