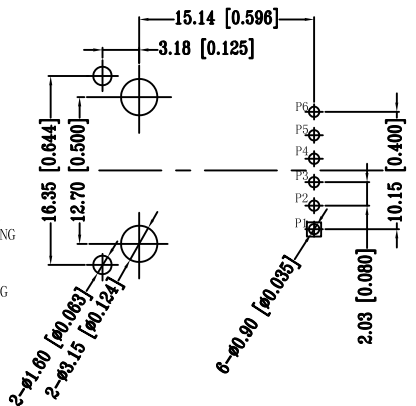
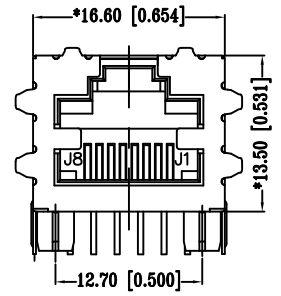
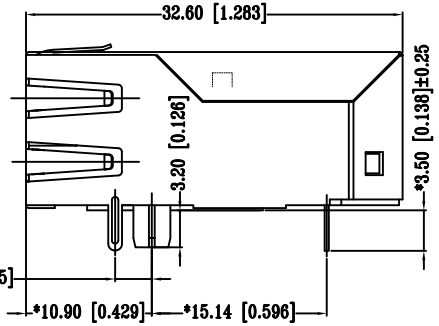
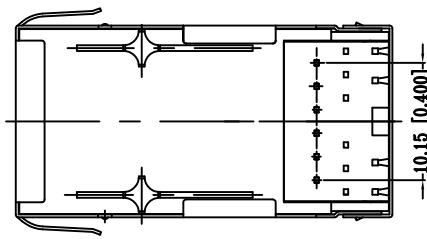
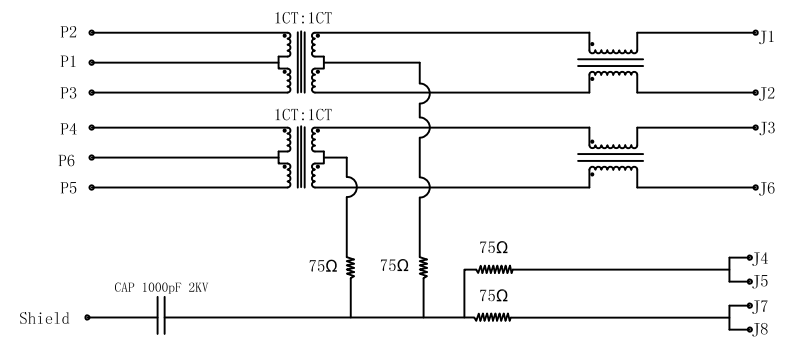


REV.	ECN NO.	DATE
00	新版发行	2011-03-30



Unless otherwise specified, all dimensions tolerances is ±0.254 / 0.010.



6-2. Electrical Specifications:

- 1.0 Turn Ratio @100KHz: (P2~P3):(J1~J2) = 1:1±5%  
(P4~P5):(J3~J6) = 1:1±5%
- 2.0 Primary Inductance: 350uH MIN @100KHZ, 0.1V 8mA DC BIAS
- 3.0 DC Resistance:(J1~J2):(J3~J6) 1.2 OHMS MAX
- 4.0 Insertion Loss: 1-100MHz -1.2dB MAX
- 5.0 Return Loss: 1-30MHz -16dB MIN  
30-60MHz -12dB MIN  
60-80MHz -10dB MIN
- 6.0 CROSS TALK: 1-100MHz -30dB MIN
- 7.0 COMMON TO COMMON MODE ATTENUATION: 1-100MHz -30dB MIN
- 8.0 Isolation: PHY Side to Line Side: 1500VAC or 2250VDC

- 1. CONNECTOR MATERIAL:  
HOUSING: THERMOPLASTIC UL94 V-0  
SHIELD: Brass  
SHIELD PLATING: NICKEL  
CONTACT: COOPER ALLOY  
CONTACT PLATING: SELECTIVE GOLD, 6 MICRO-INCHS MIN IN CONTACT AREA
- 2. PIN NOT ELECTRICALLY CONNECTED MAYBE OMITTED SEE ELECTRICAL DRAWING FOR OMITTED PINS
- 3. RJ45 CAVITIES CONFORM TO FCC RULES AND REGULATION PART 68.
- 4. THE PART IS RECOMMENDED FOR WAVE SOLDERING PROCESS PEAK SOLDERING TEMPERATURE IS 260° C MAX, 10 SECS MAX
- 5. OPERATING TEMPERATURE T=0° C TO +70° C.
- 6. STORAGE TEMPERATURE T=-40° C TO +85° C.
- 7. ALL CRITICAL DIMENSIONS WITH "\*"

RoHS Compliant

				TOLERANCES		MATERIAL:		Designed:		NAME: CP-5B028M-001	
				未注公差尺寸公差均为±0.25		FINISH:		Checked:		DWG NO: TC5078	
FIRST ANGLE PROJECTION		A4	SCALE	UNIT	CUSTOMER:	SHEET 1 OF 1		Approved:		PART NO: CP-5B028M-001	
		SIZE	1:1	mm						00	